

Description

Cat 6 UTP Data Cable Consists of 4 Pair PE Insulated 24AWG Solid Annealed Bare Copper Conductors, PE Cross Separator, rip cord and PVC outer Sheath.

Application

These structure cable suitable for Gigabyte Ethernet Applications and compatible with all known connection Systems, Ideal for high performance workstation applications including voice/data systems, Digital video, Broadband and Voice over internet protocol etc

Features

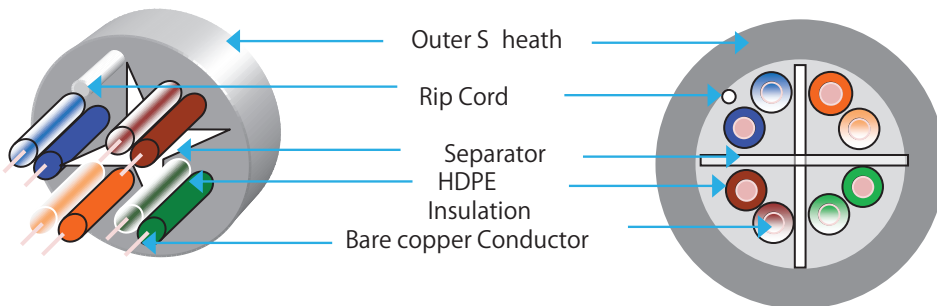
Complies to the requirements of TIA/EIA 568 C.2 and ISO/ IEC 11801– 2nd Edition

Cable Characterized up to 250 MHz,

Full Power Sum Performance.

Flammability of Sheath IEC 60332-1

CABLE CONSTRUCTION & CROSS-SECTION



Conductor	: 24 AWG (0.53 ± 0.01mm) Solid Bare Copper conductor
Insulation	: High Density Polyethylene, Diameter (1.0± 0.03mm)
Pairs	: Two Insulated conductors Twisted together to form pair
Twisting	: 4 pairs laid together and separated by cross element
Sheath	: PVC, Colour: Blue.
Cable Diameter	: 6.0 ± 0.30 mm

Colour Code

Pair 1: White– Blue, Blue

Pair 2: White– Orange, Orange

Pair 3: White– Green, Green

Pair 4: White– Brown, Brown



COPPER SYSTEM

Electrical Characteristics (at 20° C on 100m cable length)

Conductor Resistance	Max.9.38 Ω/100m
Conductor Resistance Unbalance	Max.4 %
Mutual Capacitance	Max. 5.6 nF/100m
Capacitance Earth Unbalance	Max. 330 pF/100m
Propagation Delay @ 1, 10, 100 & 250 MHz	Max. 570, 545, 538 & 536 ns/100 m
Propagation DeLay Skew 1 – 250 MHz	Max.45 ns/100 m
Characteristic Impedance (1-250 MHz)	100 ± 15Ω

Transmission Characteristics

Freq (MHz)	Attenuation (dB/100m)	NEXT (dB)	PSNEXT (dB)	ACRF (ELFEXT) (dB)	PSACRF [PSELFEXT] (dB)	Return Loss (dB)
	Max.	Min.	Min.	Min.	Min.	Min.
1.0	2.1	65.0	62.0	63.3	60.3	19.0
4.0	4.0	63.0	60.5	51.2	48.2	19.0
8.0	5.7	58.2	55.6	45.2	42.2	19.0
10.0	6.3	56.6	54.0	43.3	40.3	19.0
16.0	8.0	53.2	50.6	39.2	36.2	18.0
20.0	9.0	51.6	49.0	37.2	34.2	17.5
25.0	10.1	50.0	47.3	35.3	32.3	17.0
31.25	11.4	48.4	45.7	33.4	30.4	16.5
62.5	16.5	43.4	40.6	27.3	24.3	14.0
100	21.3	39.9	37.1	23.3	20.3	12.0
200	31.5	34.8	31.9	17.2	14.2	9.0
250	35.9	33.1	30.2	15.3	12.3	8.0

Mechanical Properties

Bending radius : 4 x overall diameter (min.)

Breaking strength: 400 N (max.)

Thermal Characteristics

Temperature Range: -20° C up to +60° C

ORDERING INFORMATION

PART NUMBER	DESCRIPTION	COLOUR
APC-24-C6VT	Cat6 Unshielded (UTP) 4 Pair 24 AWG Solid PVC 305m Cable	Violet
APC-24-C6GY	Cat6 Unshielded (UTP) 4 Pair 24 AWG Solid PVC 305m Cable	Grey
APC-24-C6VT5	Cat6 Unshielded (UTP) 4 Pair 24 AWG Solid PVC 500m Cable	Violet
APC-24-C6GY5	Cat6 Unshielded (UTP) 4 Pair 24 AWG Solid PVC 500m Cable	Grey

